



**KALCO**  
Handcrafted Since 1980

# ASSEMBLY & INSTALLATION INSTRUCTIONS

MODEL: 4302  
TRIBECCA 3 LT FOYER PENDANT



If you have any questions or problems assembling your fixture please call us for assistance.

Customer Service: (702) 361-4345 or (800) 525-2655  
[customer.services@kalco.com](mailto:customer.services@kalco.com)

**WARNING!** TO REDUCE THE RISK OF FIRE OR INJURY PLEASE TAKE PRECAUTION AND FOLLOW THE STEPS BELOW.

1. If you are unfamiliar with electrical wiring, call a qualified electrician to install this unit. More than one person may be necessary to install fixture, make sure you have enough qualified help.
2. Turn off the power to the fixture's circuit at the service panel. Use a voltage detector to verify that the power is off.
3. DO NOT install bulb which exceeds the maximum wattage specified on the socket label.

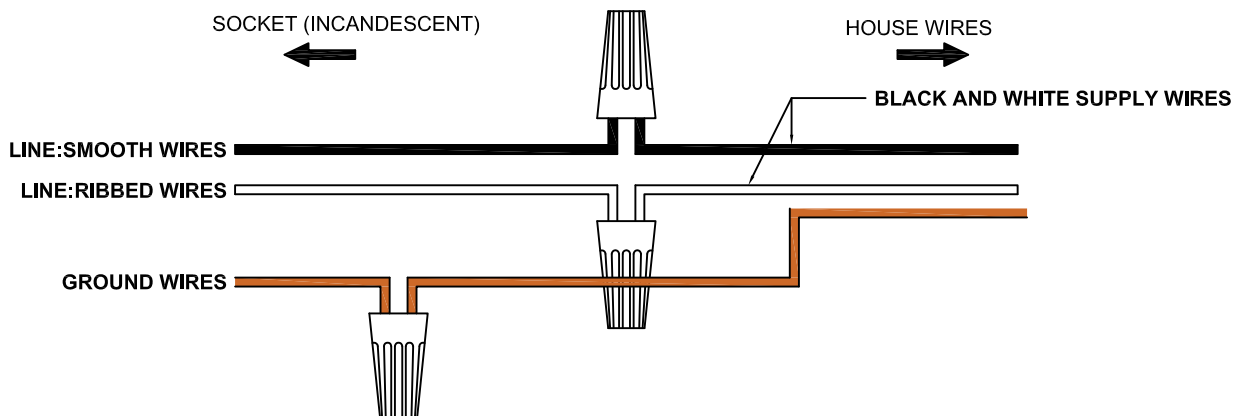
Si vous avez des questions ou des problèmes assemblage de votre dispositif s'il vous plait appel pour l'assistance.

Customer Service: (702) 361-4345 or (800) 525-2655  
[customer.services@kalco.com](mailto:customer.services@kalco.com)

**AVERTISSEMENT!** POUR RÉDUIRE LES RISQUES D'INCENDIE OU DE BLESSURES S'IL VOUS PLAÎT PRENDRE DES PRÉCAUTIONS ET SUIVEZ LES ÉTAPES CI-DESSOUS.

1. Si vous n'êtes pas familier avec le câblage électrique, appelez un électricien qualifié pour installer cet appareil. Plus d'une personne peut être nécessaire d'installer appareil, assurez vous que vous disposez de l'aide assez qualifié.
2. Coupez l'alimentation au circuit de l'appareil sur le tableau de service. Utiliser un détecteur de tension pour vérifier que l'alimentation est coupée
3. NE PAS installer l'ampoule qui excède la puissance maximale indiquée sur l'étiquette du socket.

## WIRING DIAGRAM



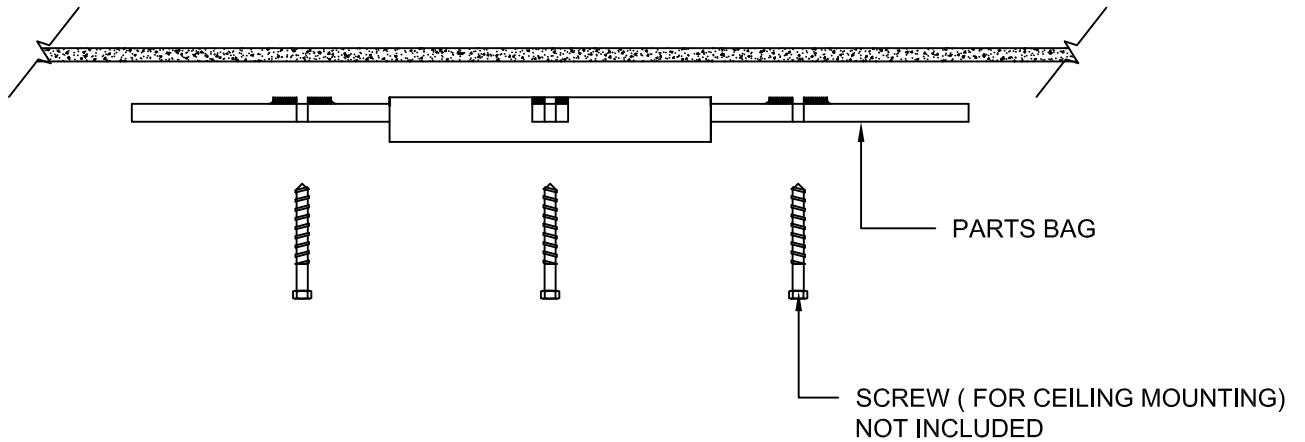


**KALCO.**  
Handcrafted Since 1980™

# ASSEMBLY & INSTALLATION INSTRUCTIONS

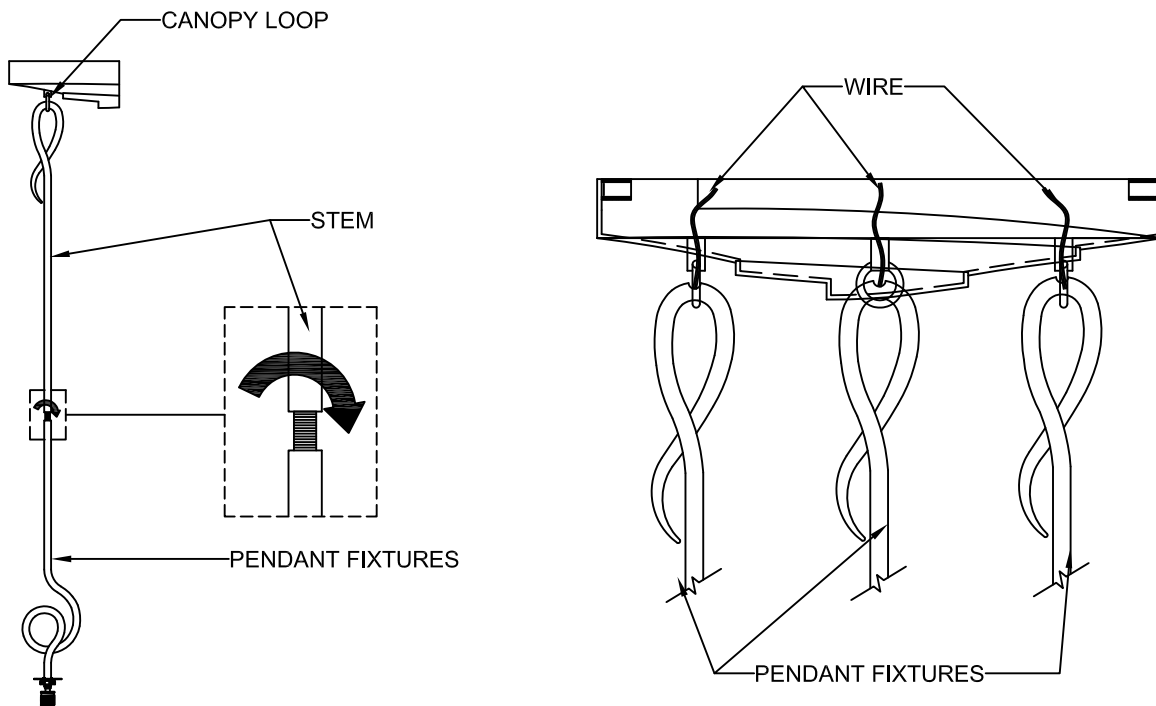
MODEL: 4302  
TRIBECCA 3 LT FOYER PENDANT

## MOUNTING ASSEMBLY



**STEP 1:** Fasten screw into customized parts bag so that it will hang from the ceiling.

## FRAME/COMPONENTS ASSEMBLY



**STEP 2:** Carefully attach the two stems as show. Make sure there is no wire pinch between the two stem. Insert the wire to the loop and attach all the pendant fixture to the canopy as shown.

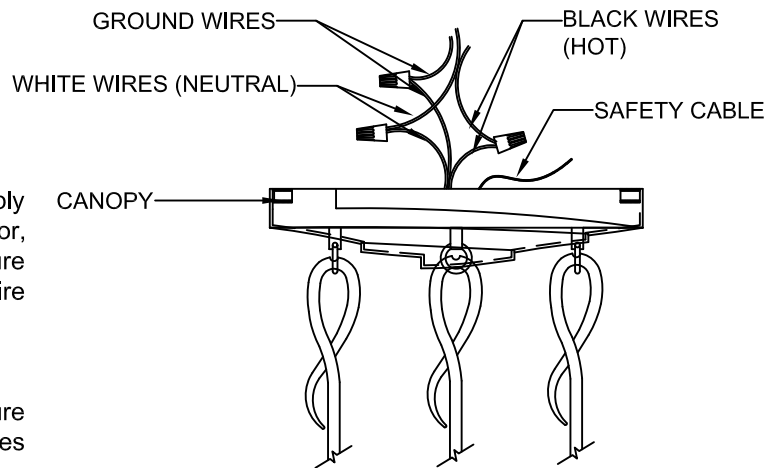


**KALCO.**  
Handcrafted Since 1980

# ASSEMBLY & INSTALLATION INSTRUCTIONS

MODEL: 4302  
TRIBECCA 3 LT FOYER PENDANT

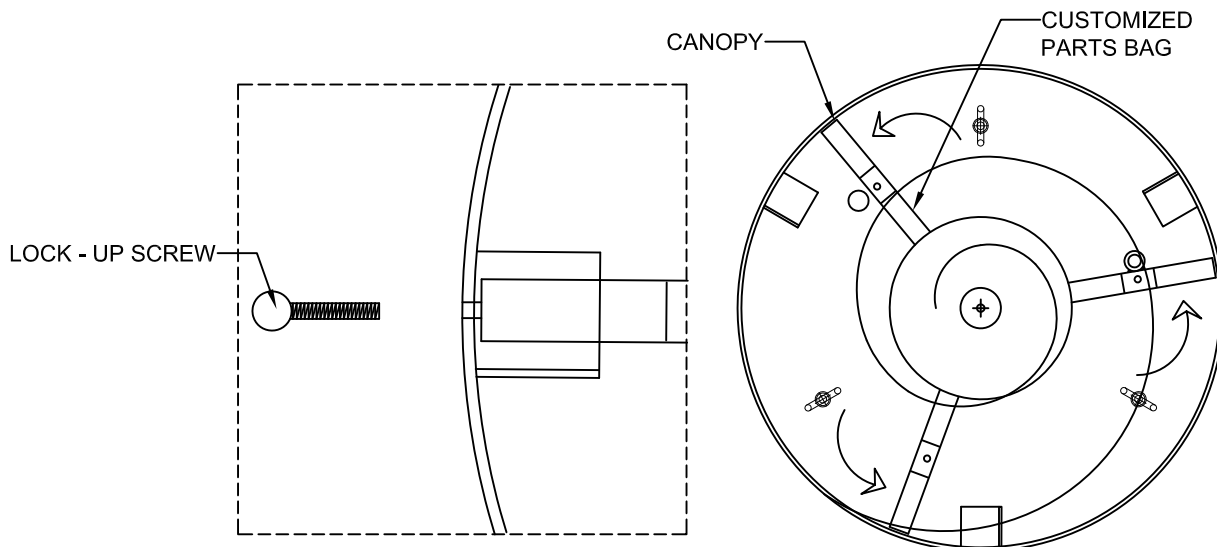
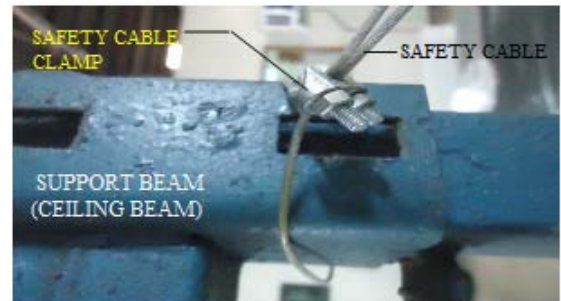
## ELECTRICAL MOUNTING INSTRUCTION



**STEP 3:** Refer to wiring diagram. Connect the black supply wire to the black fixture wire with wire connector, connect the white supply wire to the white fixture wire with wire connector. Connect ground wire from fixture with supply ground wire.

**STEP 4:** Install safety cable to ceiling beam. Make sure ceiling beam is strong enough to support 4 times the weight of the fixture.

**STEP 5:** Carefully tuck all wire ensuring that there are no wires pinched between the canopy and ceiling.



**STEP 6:** Twist the canopy to the customized parts bag and secure with lock-up screw as shown.

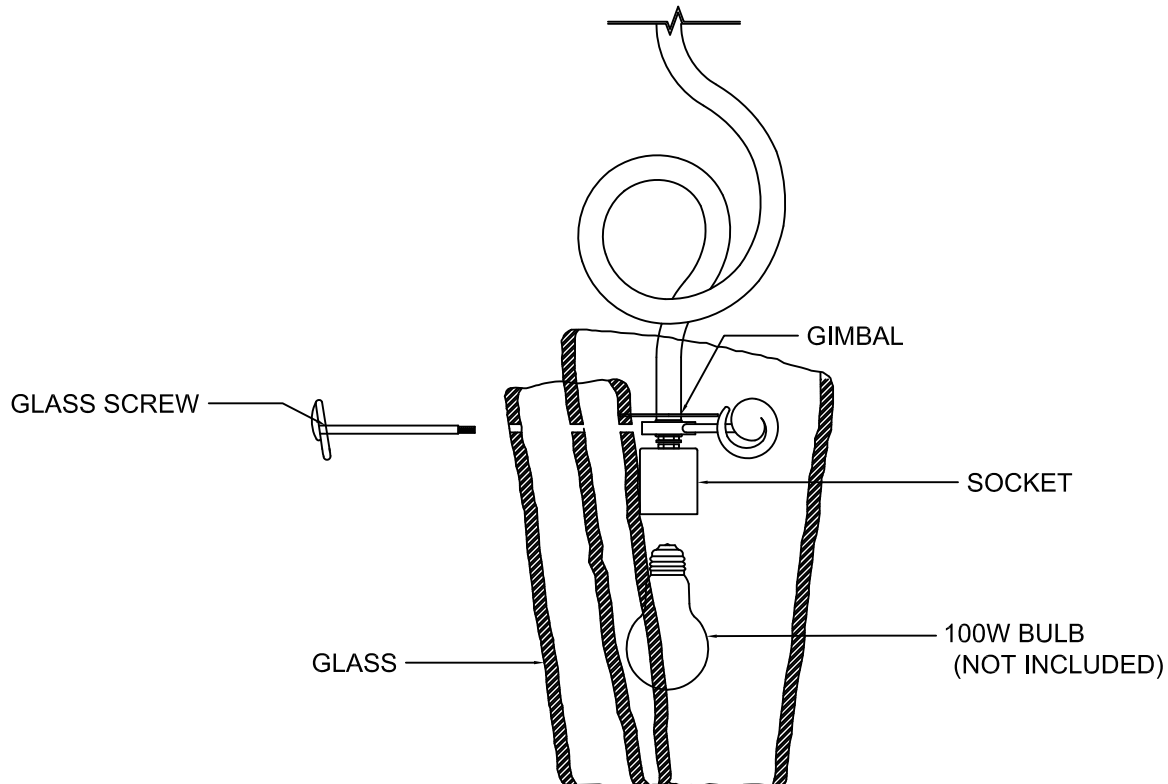


**KALCO.**  
Handcrafted Since 1980™

# ASSEMBLY & INSTALLATION INSTRUCTIONS

MODEL: 4302  
TRIBECCA 3 LT FOYER PENDANT

## COMPONENTS ASSEMBLY



**STEP 6:** Install bulbs. Do not install bulbs which exceed 100W.

**STEP 7:** Use glass screws to secure glass. Lineup hole in glass with gimbal hole. Thread in one glass screw halfway and repeat for other two screws. Then fully tighten all screws.

### FOR LIGHTING MAINTENANCE:

- Regular cleaning of fixture with proper and gentle care using a soft duster, soft lint-free or damp cloth is recommended.
- Refrain from using harsh cleaning liquids that may cause chemical reaction on the hand painted finishes.
- Always refer to the Assembly Instruction before removing any components.
- HANDLE WITH CARE.





# ASSEMBLY & INSTALLATION INSTRUCTIONS

MODEL: 4302  
TRIBECCA 3 LT FOYER PENDANT

KALCO.  
Handcrafted Since 1980™

## PARTS LIST

IMAGE	PARTS NAME	QTY .
	Lock-Up Screw	3 PCs
	Glass Screw	9 PCs