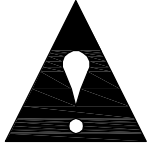


Wall Mount Exterior Fixture Installation and Wiring Instructions



WARNING: To avoid electrical shock. Do not attempt to install the fixture in wet or rainy conditions. Always turn off electrical power at the circuit breaker or by disconnecting the fuse. Only use bulbs in compliance with manufactures specifications.
DO NOT ATTEMPT TO EXCEED MAXIMUM WATTAGE RATING.

TOOLS AND MATERIALS REQUIRED

Blade and or Phillips Head screw driver
Step Ladder (if needed)
Wiring supplies as required by electrical code:
Wire connectors
Electrical tape

UNPACK THE FIXTURE

Check the contents of the box. You should receive:
Outdoor fixture
Mounting Hardware package.

CAUTION

WARNING: Risk of fire.

Before installing your lighting fixture, thoroughly review the section titled **WIRING CONNECTIONS**.

If you do not have sufficient electrical wiring experience, please refer to a do-it-yourself wiring handbook or have your fixture installed by a qualified licensed electrician.

All electrical connections must be in accordance with local and National Electrical Code (NEC) standards.

If you are unfamiliar with proper electrical wiring connections obtain the services of a qualified electrician.

GENERAL

Remove the fixture and the mounting hardware package from the box and make sure that no parts are missing by referencing the illustrations on the installation instructions.

To ensure success of the installation, read these instructions and review the diagrams thoroughly.

Save these instruction for future reference.

This fixture is intended to be mounted to a 4" x 4" x 2-1/8" deep metal outlet box.

The building structure must directly support the outlet box.

Before starting the installation, disconnect the power by turning off the circuit breaker or by removing the fuse at the fuse box. Turning the power off using the light switch is not sufficient to prevent electrical shock.

WIRING CONNECTIONS

Required supply circuit: 120V, 60Hz.

Connect the white wire from the fixture to the white wire of the supply circuit.

Connect the black wire from the fixture to the black wire of the supply circuit.

Connect the green (or bare copper) colored wire to the grounding conductor of the supply circuit.

Use U.L./CSA listed wire connectors suitable for the size, type, and number of conductors.

No loose strands or loose connections should be present. Secure wire connectors with U.L./CSA listed electrical tape.

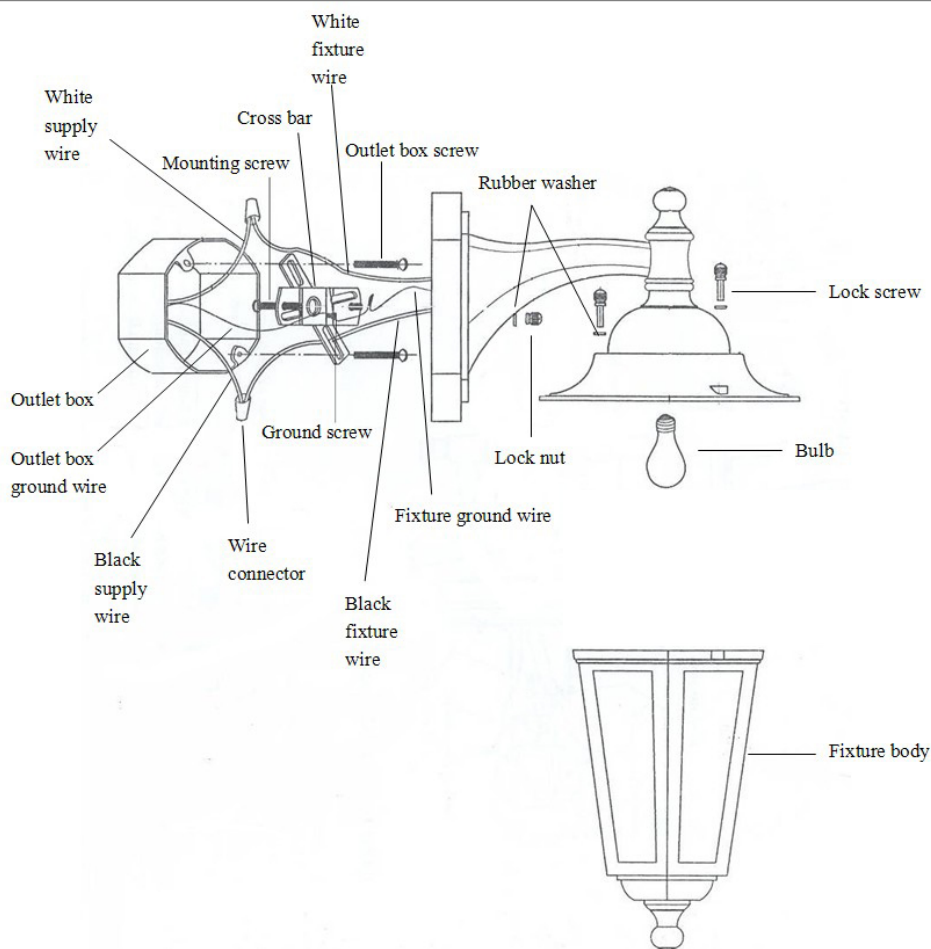
NOTE: Please consult a qualified electrician if you are not certain of the installation.

CAUTION: Before starting the installation, disconnect the power by turning off the circuit breaker or by removing the fuse at the fuse box.

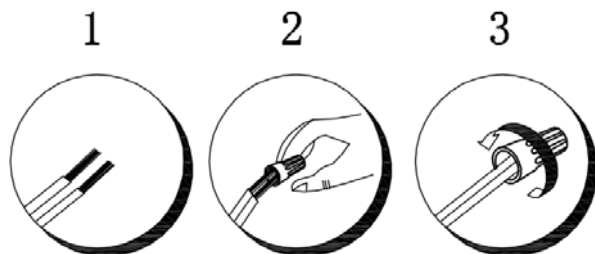
Carefully unpack and identify all parts before assembly.

Installation Procedures

1. Switch off the power supply to the outlet box on which you plan to mount the lighting fixture (Caution: Disconnect all power before servicing).
2. Fix the cross bar to outlet box by using existing outlet box screws.
3. Connect fixture wires to house wires with the provided wire connectors. Ensure the right matching as black to black, white to white. Tie the ground wire from outlet box and from fixture to the ground screw on the cross bar. (Caution: Make sure connections are secure in Right Polarity and in Good Insulation.)
4. Fix Lighting Fixture according to the drawing below .
5. Install bulb. See relamping label located at socket area for type and maximum allowed wattage.
6. Caulk with silicon or similar caulking suitable for outdoor use ,make a complete seal around fixture canopy and mounting surface.



Details 1, 2, 3 show the proper procedure to secure wires with Wire Connectors.



Connect black or red house wire to:	Connect white house wire to:	White, marked or ridged fixture wire
Black	White	<p style="text-align: center;">White supply wire</p>
Parallel cord-SPT IorII (round & smooth)	Parallel cord-SPT IorII (square & ridged)	
Clear, Brown, Gold or Black	Clear, Brown, Gold or Black	Black, unmarked or smooth fixture wire
Insulated wire (Other than GREEN) with copper conductor	Insulated wire (Other than GREEN) with silver conductor	<p style="text-align: center;">Black or red supply wire</p>