

ASSEMBLY INSTRUCTIONS

Lorino Large Semi-Flush Mount

Item # JN 4241

NOTICE:

This light fixture should be installed in accordance with all applicable, local installation codes, and by a person familiar with the construction and operation of it, as well as the hazards involved. Inspect item and contents carefully. If any damage or defect is found, do not install. Retain all packaging material until installation is complete and approved.

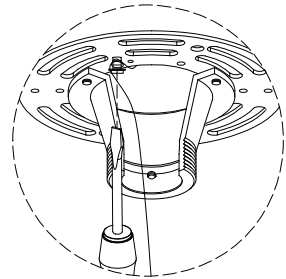


Diagram 2

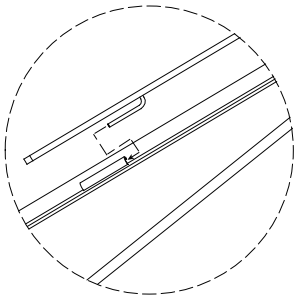


Diagram 3

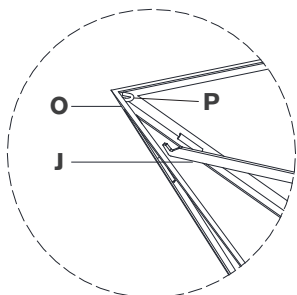


Diagram 4

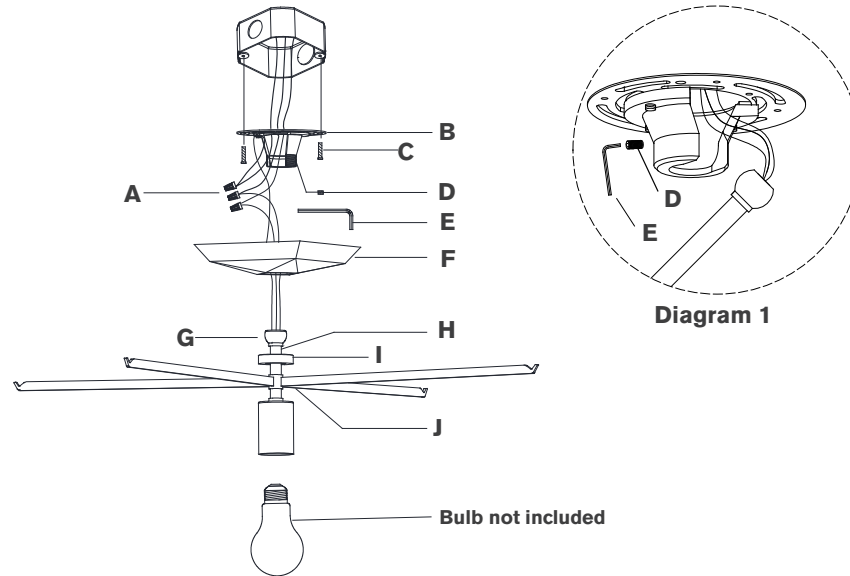
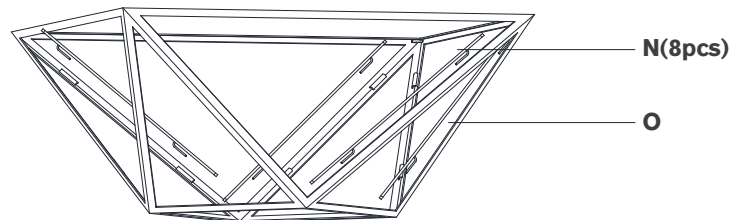
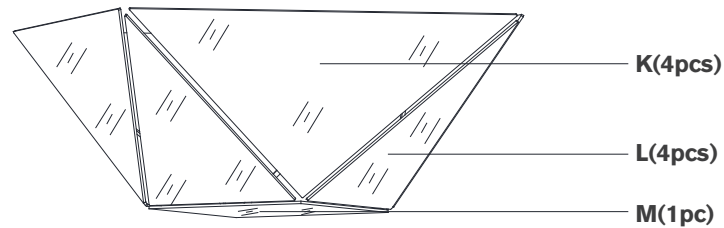


Diagram 1



TOOLS REQUIRED (NOT INCLUDED):

Phillips Screwdriver

Slotted Screwdriver

- Carefully remove all parts from the box. Place on a clean, soft surface.
- Remove mounting plate (B) from canopy (F) by removing collar ring (I).
- Install mounting plate (B) to the junction box and secure with mounting screws (C).
- Holding fixture upright, slide collar ring (I) and canopy (F) pass through rod (H) and rest on fixture body.
- Hang fixture swivel ball (G) to the center of mounting plate (B) and secure with set screw (D) using provided wrench (E). See diagram 1.
- Wrap fixture ground wire (bare copper) around the green grounding screw (see diagram 2). Tighten. Continue fixture ground wire and connect to supply ground wire (usually green or bare copper) using wire nut (A).
- NOTE:** It is imperative that the fixture is grounded.
- Connect fixture neutral wire (white) to the supply neutral wire (usually white) using wire nut (A).
- Connect fixture hot wire (black) to the supply hot wire (usually black) using wire nut (A).
- CAUTION:** Do not reverse the hot and neutral connections.
- Make sure all wire connections are tight, then carefully tuck into the junction box.

ASSEMBLY INSTRUCTIONS

Lorino Large Semi-Flush Mount

Item # JN 4241

NOTICE:

This light fixture should be installed in accordance with all applicable, local installation codes, and by a person familiar with the construction and operation of it, as well as the hazards involved. Inspect item and contents carefully. If any damage or defect is found, do not install. Retain all packaging material until installation is complete and approved.

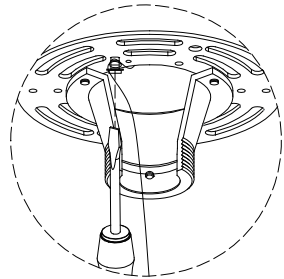


Diagram 2

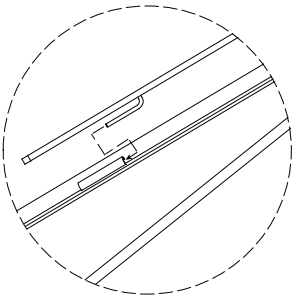


Diagram 3

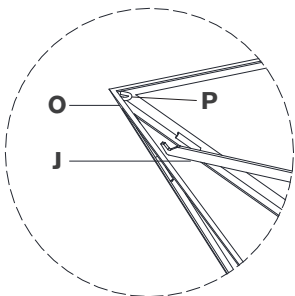


Diagram 4

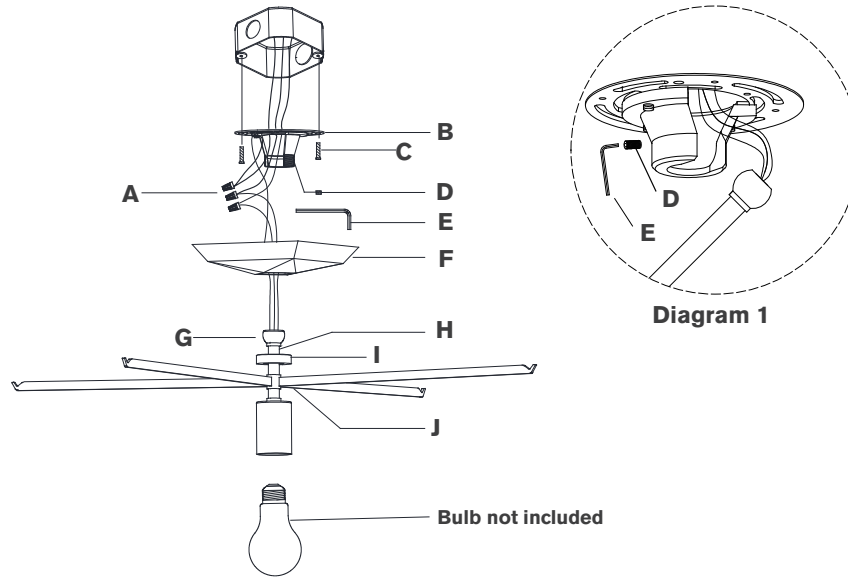
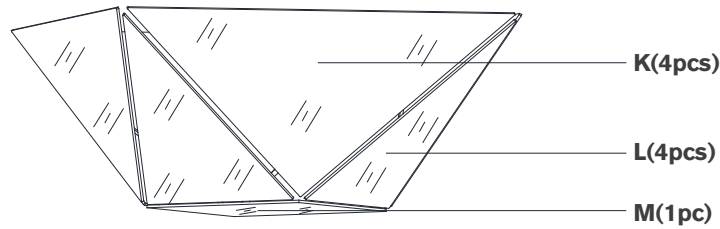


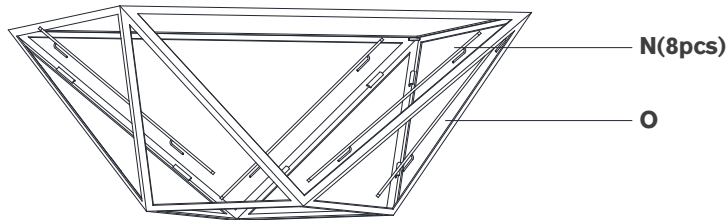
Diagram 1



K(4pcs)

L(4pcs)

M(1pc)



N(8pcs)

O

10. Install canopy (**F**) to mounting plate (**B**) and secure with collar ring (**I**).
11. Install glass panels (**K, L & M**) to fixture frame (**O**) and secure with metal bars (**N**). See diagram 3.
12. Install light bulbs into the sockets.
13. Install fixture frame (**O**) by hanging hooks (**P**) to bracket (**J**). See diagram 4.

Care Instructions: Clean only with a soft dry cloth or feather duster. Do Not use abrasive or chemical agents.