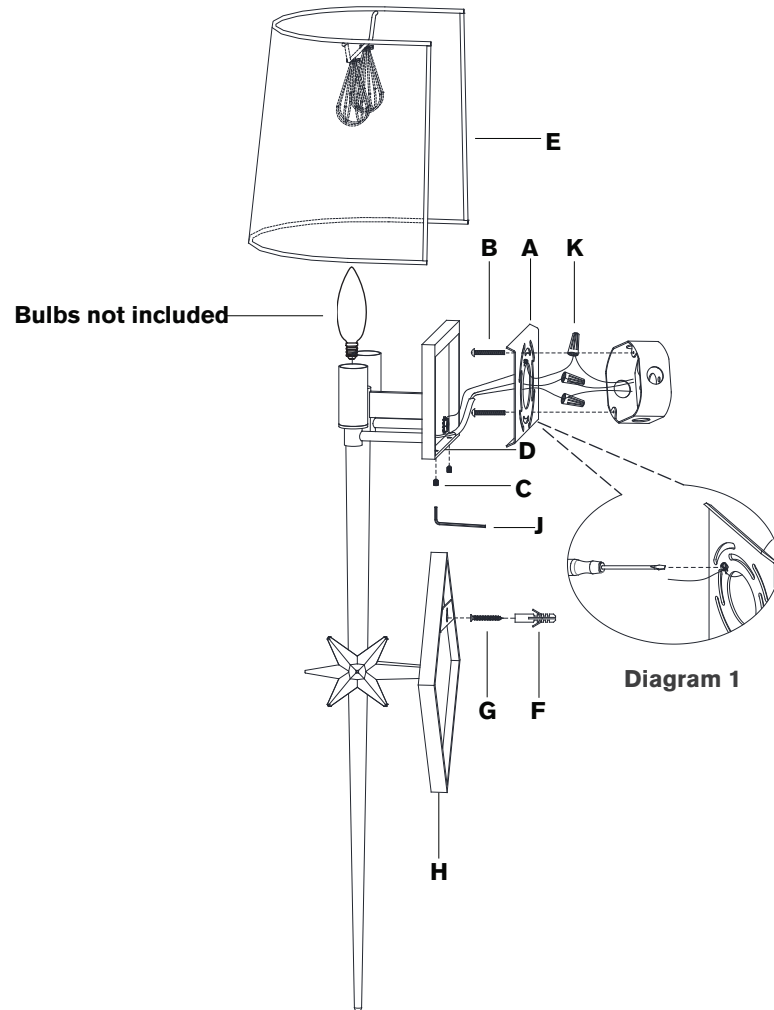


ASSEMBLY INSTRUCTIONS



Etoile Large Tail Sconce

Item # S 2321

NOTICE:

This light fixture should be installed in accordance with all applicable, local installation codes, and by a person familiar with the construction and operation of it, as well as the hazards involved. Inspect item and contents carefully. If any damage or defect is found, do not install. Retain all packaging material until installation is complete and approved.

TOOLS REQUIRED (NOT INCLUDED):

Phillips Screwdriver

Slotted Screwdriver

Drill

Hammer

Pencil

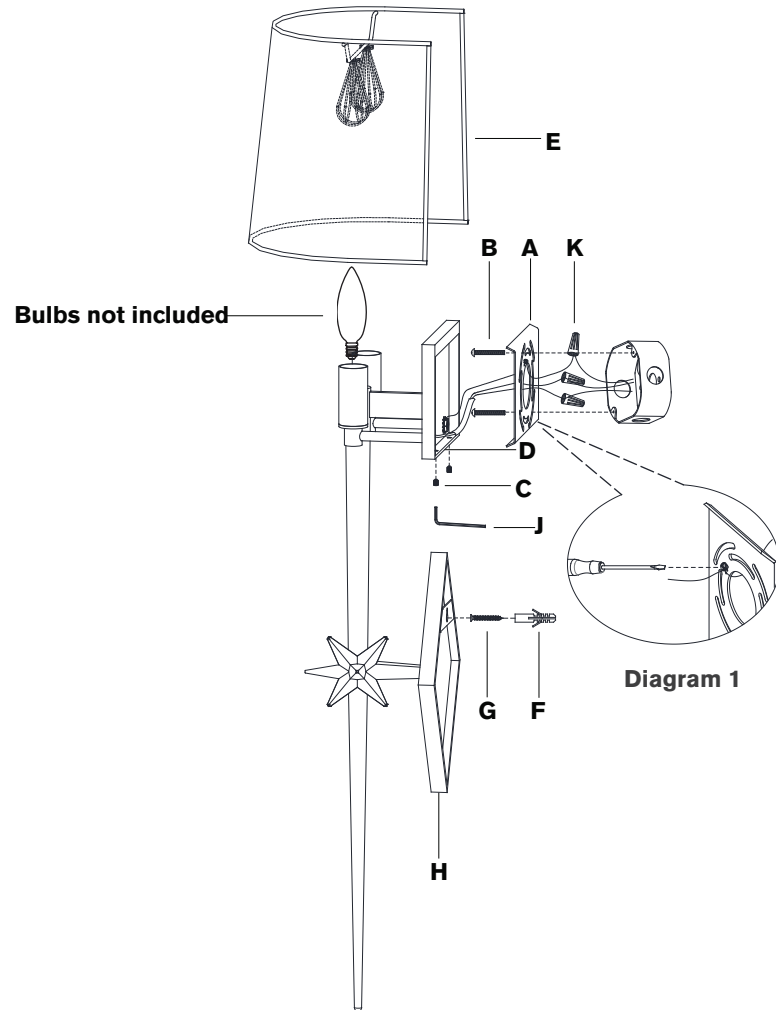
1. Carefully remove all parts from the box. Place on a clean, soft surface.
2. Remove mounting plate (A) from fixture body (D) by removing set screws (C) using provided wrench (J).
3. Install mounting plate (A) to junction box and secure with mounting screws (B).
4. Using fixture base (H) as a guide, line up with the wall and mark anchor position.
5. Using a drill bit slightly smaller than the anchor, drill hole in the marked position. Install anchor (F) into the hole using the hammer.
6. Insert the wood screw (G) to the anchor (F) and leave the threads 1/8" out.
7. Wrap fixture ground wire (bare copper) around the green grounding screw (see diagram 1). Tighten. Continue fixture ground wire and connect to supply ground wire (usually green or bare copper) using wire nut (K).

NOTE: It is imperative that the fixture is grounded.

8. Connect fixture neutral wire (white) to the supply neutral wire (usually white) using wire nut (K).
9. Connect fixture hot wire (black) to the supply hot wire (usually black) using wire nut (K).

CAUTION: Do not reverse the hot and neutral connections.

ASSEMBLY INSTRUCTIONS



Etoile Large Tail Sconce

Item # S 2321

NOTICE:

This light fixture should be installed in accordance with all applicable, local installation codes, and by a person familiar with the construction and operation of it, as well as the hazards involved. Inspect item and contents carefully. If any damage or defect is found, do not install. Retain all packaging material until installation is complete and approved.

10. Make sure all wire connections are tight, then carefully tuck into the junction box.
11. Hook fixture base **(H)** to wood screw **(G)**, then install fixture body **(D)** to mounting plate **(A)** and secure with set screws **(C)** using provided wrench **(J)**.
12. Install light bulbs into the sockets.
13. Clip shade **(E)** onto the light bulbs.

Care Instructions: Clean only with a soft dry cloth or feather duster. Do not use abrasive or chemical agents.