

Stock Code: **49990LEDDCS-BL/ACR**

Collection: Lucia

PRODUCT INFORMATION

Base: 49990 Parent: 49990LEDDCS
Mounting Type: Ceiling UPC: 641594252323
Finish: Black
Diffuser: Acrylic Lens

PRODUCT MEASUREMENTS

FIXTURE**	BACKPLATE / CANOPY**
Length:	Length
Width:	Width:
Diameter 13.75"	Diameter: 13.75"
Height: 4"	Height:
Extension:	
Overall Height:	

TECHNICAL SPECIFICATIONS

SPECIFICATIONS

Frame Material: Steel
Diffuser Material: Acrylic
Lamping Type: SSL (Dedicated LED) Jbox: Standard
Lamping Base: SSL Lamp Wattage: 16 W
Lamp Quantity: 1 Total Wattage: 16 W
Voltage: 120v Lamps Included: Yes

QUALIFICATIONS

Location Rating Damp
Certification: UL (US/Canada) Listed
ADA Compliant: No Energy Star: No
JA8 Compliant: Yes Emergency Lighting: No
Marine Grade Finish: No
Warranty**: 5 Year

PHOTOMETRICS

Dimmable: Yes Nominal Lumens: 1600 Lm
CRI: 90 Delivered Lumens: 1117 Lm
CCT: Multi-CCTK
Recommended Dimmers:
(ELV)LUTRON Maestro MAELV-600; (ELV)LEVITON Decora DSE06-10Z; (TRIAC)LUTRON Diva DVCL-153P; (TRIAC)LEVITON Decora Sureslide 6674; (TRIAC)LUTRON Skylark CL SCL-153 or SCL-153P

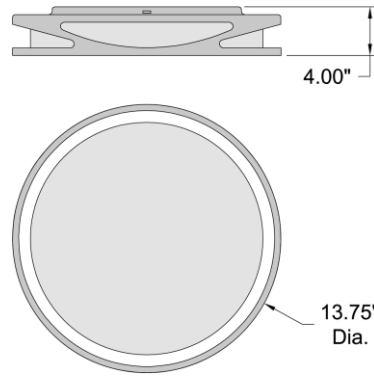
ADDITIONAL NOTES

Custom Finish 100 Piece Minimum Order Quantity; Optional Color Temperature 100 Piece Minimum Order Quantity; 3 CCT Selectable Switch 3000K, 3500K, 4000K

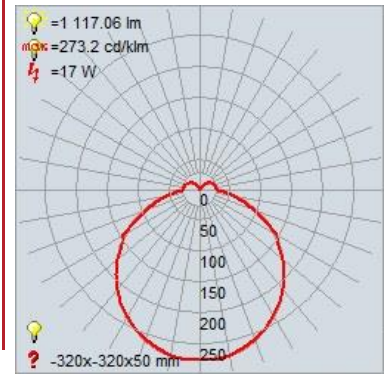
Project Name: _____
Location: _____
Type: _____
Quantity: _____
Notes: _____



LINE DRAWING



IES FILE



In addition to Access Lighting's purchase and warranty terms and conditions, by signing below or placing an order, you agree that you are authorized to bind the entity placing any order and acknowledge the following: All of sizes and measurements are approximate and all images are for illustrative purposes only. In the event of an inconsistency, the "Product Measurements" section controls. There also may be slight differences in the colors and designs compared to the displayed and printed images.

Signature: _____
Print Name _____ Date: _____

Toll Free 800-828-5483 www.AccessLighting.com
301 Piedmont Grove Park, Suite A, Greenville, SC 29611



** NOTE: All measurements are rounded up to the 1/4 inch. There is no warranty on any replaceable bulbs, even if included with the fixture.
Copyright Access Lighting Corp. All information is subject to change without notice. 5/10/2024 49990LEDDCS-BL_ACR.pdf